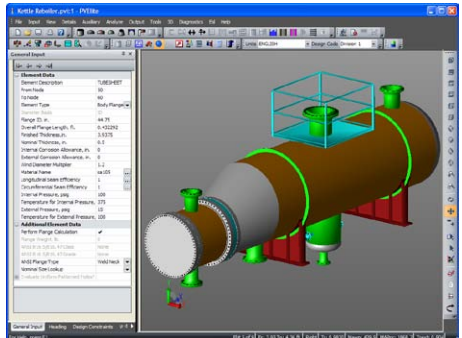
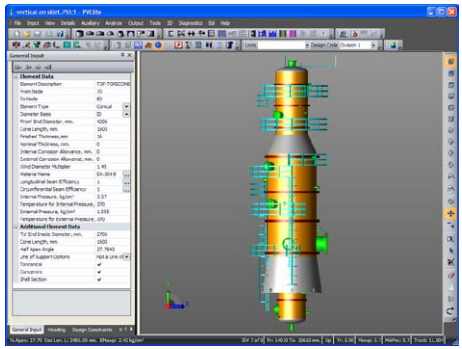




Intergraph PV Fabricator



PV Fabricator is the fastest way to produce the best vessel and heat exchanger fabrication drawings on the market!

www.ferncc.com
sales@ferncc.com

Telephone: +44 (0)1332 780790
 Fax: +44 (0)1332 780788



© Copyright 2010 Fern Computer Consultancy Ltd. All Rights Reserved.
 Fern is an authorised distributor of Intergraph Analysis Solution Group in Western Europe. Intergraph, the Intergraph logo, CAESAR II, CADWorx, PV Elite and TANK are registered trademarks or trademarks of Intergraph. Windows and Vista are trademarks of Microsoft Corporation. AutoCAD is a registered trademark of Autodesk, Inc.

Intergraph® PV Fabricator™ has advanced tools for the accurate and speedy production of fabrication deliverables of pressure vessels and heat exchangers. Linked to Intergraph PV Elite™, PV Fabricator can deliver up to 80% savings over existing drafting methods.

Ease of Modeling

PV Fabricator works in either imperial or metric and comes with powerful parametric modeling capabilities allowing for the quick and accurate development of fully editable 3D models of pressure vessels and heat exchangers. From these models, complete fabrication deliverables of pressure vessels and exchangers can be developed using tools designed to automate the detail production process.

Links to Analysis

Although the tools in PV Fabricator enable quick 3D modeling, its true power is realized when it is linked to PV Elite™. When linked to PV Elite, PV Fabricator creates 3D models complete with the analysis data. This link improves engineering and design integration by removing the wasted time and the introduction of mistakes that can come from task duplication.

Using Existing Drawings and Blocks

What sets PV Fabricator apart is its ability to make use of an unlimited number of existing company drawings, details, notes etc. The program handles the task of using and maintaining links to blocks from various locations or even existing drawings. When linked to PV Elite, block attributes can be further used to accurately insert information into the block for annotation or reporting purposes.

Easy Customization

Intuitive dialogs let users set styles for each item that will appear on their drawings. The representation of notes, call outs, weld symbols, title blocks, name plates, bills of material (BOM), nozzle schedules and dimensions can all be set for any project or client requirement.

Bills of Material

PV Fabricator lets users take linked PV Elite data to create accurate on-drawing BOM's. A simple drag and drop dialog makes this tedious task easy, flexible and extremely accurate. BOM's can also be exported to spreadsheets or databases as an aid to procurement.

Editing and Modification

Because model and analysis can be linked, modification or editing due to changes in the analysis model is instantly reflected in the fabrication drawing and the BOM.

Application Areas

Process and Plant Design, Equipment, Pressure Vessels, Heat Exchangers, Petrochemical, Chemical, Power, Offshore, Food, Beverage, Brewing, Pharmaceutical, Water Treatment, Building Services and Shipbuilding.

Technical Specs

AutoCAD compatible
 Microsoft Windows XP Pro or Windows Vista Ultimate (minimum)

Features

- Powerful Modeling Capabilities
- Links to PV Elite
- Links to Intergraph CADWorx®
- Equipment
- Fast and Accurate Fabrication Drawings
- Uses Existing Blocks and Details
- Block and Detail Updates from PV Elite
- Ease of Customization
- Intelligent Bills of Material
- BOM Export