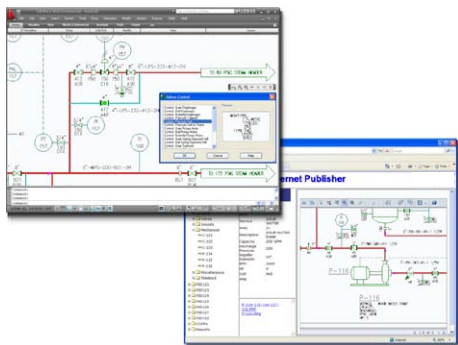




## Intergraph CADWorx P&ID



CADWorx P&ID is the most powerful and easiest to use tool for piping and instrument diagramming.

Intergraph® CADWorx® P&ID has everything needed for the easy creation of intelligent process diagrams. CADWorx P&ID unlocks the power of P&IDs by making diagrams, and the information locked within them, available to all stakeholders.

With a worldwide customers base, supported by a global infrastructure of experienced engineers, Intergraph CADWorx P&ID is a proven solution that enables projects to be delivered on time at the lowest cost and risk.

Intergraph CADWorx P&ID enables users and work teams to simply create intelligent process diagrams with varying levels of information and with the minimum of effort. The solution integrates CADWorx Loops, CADWorx IP (Internet Publisher®) and offline or online database operation. Optionally, CADWorx Datasheets can be used for datasheet generation from the process data.

### Industry Applicability

CADWorx is suitable for all mid-market companies (defined as €50-250million CAPEX/OPEX) who are executing projects in Process and Plant Design, Piping, Equipment, Petrochemical, Chemical, Power, Offshore, Food, Beverage, Brewing, Pharmaceutical, Water Treatment, Building Services, Ship Building and Architecture.

### Intelligence in the Engineering Workflow

Designed by engineers for engineers, CADWorx P&ID Professional provides a comprehensive set of intelligent applications, as one integrated packaged solution.

### Features

- Intelligent Process Diagrams
- Specification-driven P&ID
- Industry-standard Symbols
- Bi-directional Project Database
- Project Document Links
- P&ID Project Publishing
- P&ID Plant Model Synchronisation
- Legacy Drawing Conversion
- Automatic Instrument Loop Diagrams
- Intelligent Datasheet Capabilities

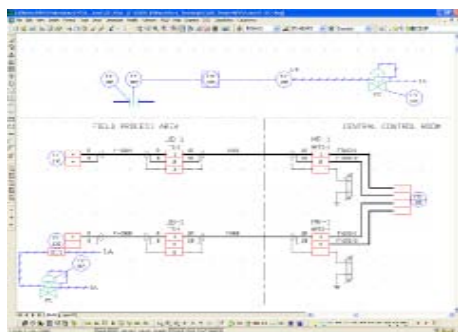
### Flexibility and Scalability: Demand more from your projects at lower cost and risk

Intergraph CADWorx P&ID is a ready to use out-of-the-box solution that enables projects to be executed at minimum cost and overhead. This is achieved through:

- Training requirements which are the lowest in the industry, with exceptionally easy to use and productive applications.
- Project start up and administration costs which are significantly lower than any system on the market; with ease of definition in project configuration and customisation.
- Database choice appropriate to project; utilize any ODBC compliant database.
- Comprehensive library of industry based specifications and symbols to meet most engineering standards; easily administered and modified.
- Shared specification configuration between P&ID and the 3D model of CADWorx Plant Professional.
- Data integrity is assured; generate the database from drawings.
- Pricing model that provides flexibility to the project, at a cost you will find hard to beat for the capability available.
- Open to legacy data import and interoperability with other AutoCAD based applications.

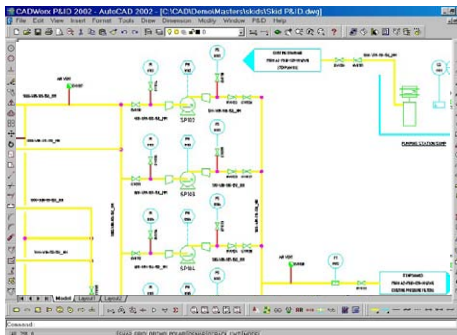
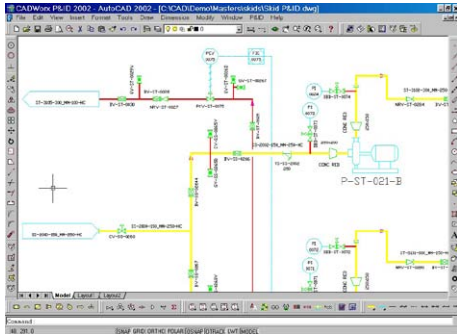
### Process Instrumentation Diagrams (P&IDs)

P&IDs can be created intelligently without changing the drawings look or the symbols that are used. With the familiarity of an AutoCAD environment, users are able to create and modify P&IDs easily, guided intelligently by the specification and smart layout rules available.



"...well integrated, simple to use but very intuitive, requires very little training and produces functional and accurate CAD pipework models." Advantica

# Intelligent P&IDs How AutoCAD Users Expect



"Standardisation improves the workflow. The right software, training and working on the project as a team, led to the successful completion of our project." Briggs, UK



[www.ferncc.com](http://www.ferncc.com)  
[sales@ferncc.com](mailto:sales@ferncc.com)

Telephone: +44 (0)1332 780790  
Fax: +44 (0)1332 780788



© Copyright 2010 Fern Computer Consultancy Ltd. All Rights Reserved.  
Fern is an authorised distributor of Intergraph Analysis Solution Group in Western Europe. Intergraph, the Intergraph logo, CAESAR II, CADWorx, PV Elite and TANK are registered trademarks or trademarks of Intergraph. Windows and Vista are trademarks of Microsoft Corporation. AutoCAD is a registered trademark of Autodesk, Inc.

## Intelligent Process Diagrams

CADWorx P&ID allows for the quick and easy creation of fully intelligent P&IDs and does so without the need to change the current look and feel of existing drawings, symbols or corporate standards.

## Specification-driven P&IDs

CADWorx P&ID optionally allows P&ID components to be placed using piping specifications, thereby improving accuracy and enabling component checks against the plant model.

## Industry-standard Symbols

CADWorx P&ID comes with an extensive symbol library. A programming-free interface enables complete access to existing corporate symbols and assemblies, giving them full CADWorx functionality and intelligence.

## Bi-directional Project Databases

CADWorx P&ID Professional permits the creation of user-defined project databases with no database knowledge required. Project databases are bi-directionally linked to project drawings, ensuring both database and drawings are continually in synch.

## Project Document Links

CADWorx P&ID Professional enables the linking of any amount of information or number of documents to P&ID components and stores this information in project databases for further processing.

## P&ID Project Publishing

CADWorx IP (Internet Publisher®) allows P&IDs to be effortlessly published so that they can be viewed using Windows Internet Explorer. Published projects also allow each component's database information, and any documents linked to them, to be accessed from within the browser. Published projects can be hosted on the Internet, on an intranet or locally. P&ID and Plant Model Synchronization Intelligent component checking between the P&ID and CADWorx Plant Professional models ensures full synchronization between P&ID and model components.

## Legacy Drawing Conversion

CADWorx P&ID includes powerful routines that make it easy to link legacy P&IDs and their components to project databases. This allows these drawings to be used exactly as if they were originally created using CADWorx P&ID.

## Automatic Instrument Loop Diagrams

CADWorx Loops uses user-defined templates for the automatic creation of instrument loops diagrams.

## Intelligent Datasheet Capabilities

Optional CADWorx Instrument Datasheets and CADWorx Equipment Datasheet modules are available for use. These modules can be used standalone or may leverage information contained in the CADWorx P&ID Professional project databases.

## Technical Specs

AutoCAD compatible  
Microsoft Windows XP Pro or  
Windows Vista Ultimate (minimum)

## Versions

### Professional

- Quick and Intuitive P&ID creation
- Specification-driven P&IDs
- Large, User-modifiable Symbol Library
- Bi-directional Project Database
- Component Link to Project Documents
- P&ID Project Publishing
- P&ID/Model Synchronization
- Legacy Drawings Conversion
- Automatic Instrument Loop Diagrams
- Optional Datasheet Capabilities

### Standard

- Quick and Intuitive P&ID creation
- Large, User-modifiable Symbol Library
- Optional Datasheet Capabilities